

Version	2.0	Date	7/19/22
Prepared By	JC		

PRODUCT SPECIFICATION

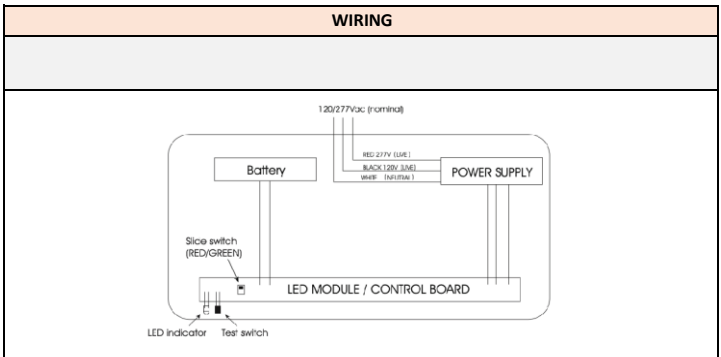
Category	Emergency Exit Sign/Light
Item Number	7521
Stock Code	LEDEX-GRN/RED-WH
Mounting	Wall Mount/ Ceiling J-Box Mount
Housing Color	White



ELECTRICAL CHARACTERISTICS			
Rated Wattage (W)	1	Battery	1.2V 1000 mAh Ni-MH Battery
Tested Wattage (W)	1		
Input Voltage (V)	120/277V		
Voltage Frequency (Hz)	50/60		
Input Current (A)	0.09A (max)		
Charging Time	24 hrs		
Emergency Run Tim	90 min		

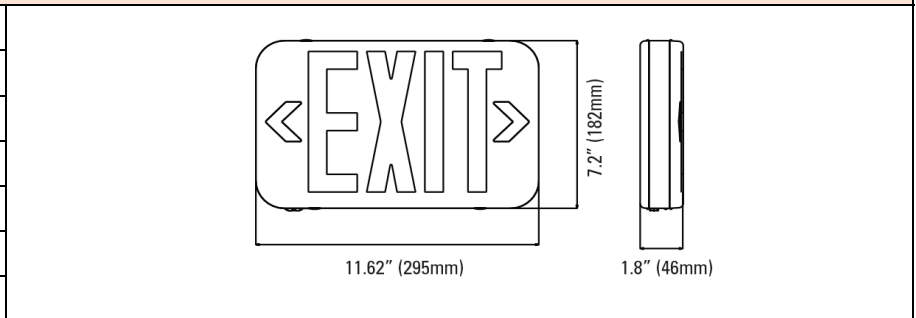
PHOTOMETRIC CHARACTERISTICS			
Color	Green & Red		

GENERAL CHARACTERISTICS	
Operating Temperature (°F)	-32°F ~ 104°
Storage Temperature (°F)	-32°F ~ 104°
IP Rating	IP20 (Indoor Only)
Material	Thermoplastic ABS Housing, UL 94V-0 Flame Rating
Rated Life (Hrs)	50,000
Warranty (Yrs)	2



PRODUCT DIMENSIONS

Width- in / (mm)	11.62"	295
Height- in / (mm)	7.20"	182
Depth- in / (mm)	1.80"	46
IK Rating	-	
Weight (lbs)	1.76	
Mounting Height (ft)	-	
Cable Length (ft)	-	



CERTIFICATIONS			
UL/ETL	UL/cUL	CEC	
NSF/ETL Sanitation		JA8	
Energy Star		FCC	✓
DLC		RoHs	✓

DOCUMENTS			
LM79		IES File	
LM80		Dimmer List	

COMMENTS

--